

31 075

GROHE ZEDRA

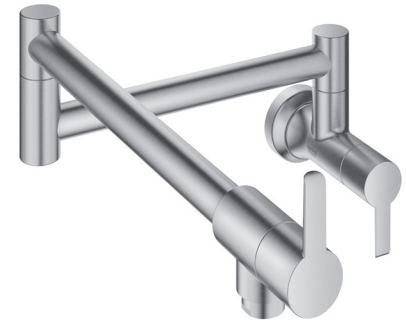
2-HANDLE WALL MOUNT POT FILLER

Pure Freude
an Wasser





STANDARD SPECIFICATION:

- GROHE StarLight®
- GROHE SilkMove®
- Maximum 24 7/16" reach capability to cook tops
- Wall and spout shut-off valves
- Cold water only
- ≥ 3.9gpm
- GROHE Zedra is the new name for Ladylux L2



PRODUCT FEATURES:

-  GROHE SilkMove®
-  GROHE StarLight®

CERTIFICATIONS:



- ADA
- Low Lead Certified
- CALGreen Compliant
- Massachusetts Plumbing Board Approved
- Energy Policy Act of 1992
- NSF 61
- CSA B125.1
- ASME A112.18.1
- Complies with lead plumbing laws

AVAILABLE FINISHES:

31075DC2



SuperSteel
InfinityFinish™

NOTE: Install this product according to the installation guide. ADA, CSA compliant when installed to the specific requirements of these regulations.

Tel: 1.630.582.7711 Fax: 1.630.582.7722
We reserve the right to make revisions without notice to product specifications.
For the most current Specification Sheet, go to www.grohe.us.
08-04-2021

PART OF **LIXIL**

31 075

GROHE ZEDRA

2-HANDLE WALL MOUNT POT FILLER

Pure Freude
an Wasser



TECHNICAL DATA:

Product Height	6-1/8 in
Product Length	24-7/16 in
Product Width	2-3/8 in
Fitting Spout Reach	24-7/16 in
GPM (Min)-GPM (Max)	1.75 gal (US)/min
Fitting No of Holes Required	1

